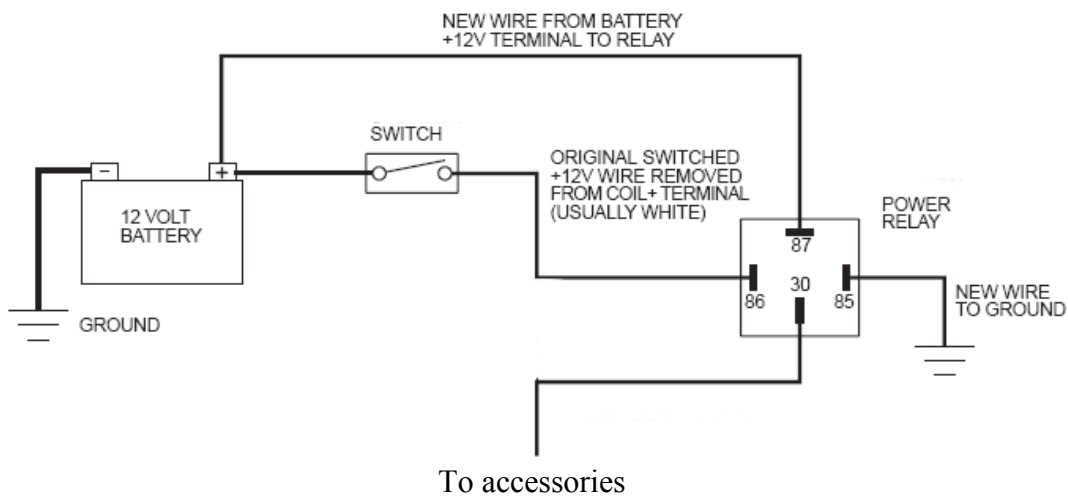


SOLENOID WIRING: The wire from the battery to the arming switch can also have a push button style thumb switch for the activation or you can use the switch as the arming switch and then use a micro switch for wide open throttle activation.

BOTTLE HEATER WIRING: For use with a bottle heater all you need to do is place the pressure switch in line with the power from the switch to the relay (86). Pole (30) on the relay goes to the heater. When the pressure switch reaches max P.S.I. it will cut power to the relay and turn off the heater



SOLENOID WIRING: The wire from the battery to the switch can also have a push button style thumb switch for the activation or you can use the switch as the arming switch and then use a micro switch for wide open throttle activation.

BOTTLE HEATER WIRING: For use with a bottle heater all you need to do is place the pressure switch in line with the power from the switch to the relay (86). Pole (30) on the relay goes to the heater. When the pressure switch reaches max P.S.I. it will cut power to the relay and turn off the heater